

HIGH-CAPACITY LARGE IC CUSHION



25000 - 80000 LBS.

SPECIFICATIONS



- ▶ THDC2500-3500-24
- ▶ THDC2500-5000-30
- ▶ THDC3000-5500-36

CLASS
4

INTERNAL COMBUSTION ENGINE CUSHION TIRE

ToyotaForklift.com

HIGH-CAPACITY LARGE IC CUSHION

CAPACITY
25000 - 80000 LBS.*

WHEELBASE
90 - 105 IN.

LOAD CENTER
24 - 36 IN.

INDUSTRIES



Steel/Metals



Factory



General
Manufacturing



General
Warehousing



Paper



Retail



Distribution

STANDARD FEATURES

DURABILITY

- Large drum-type brakes
- Heavy duty planetary drive axle rated for durability in high-capacity applications
- Rigidly constructed, welded frame
- Built-in engine protection system
- High-capacity cooling system
- Bolted open core radiator
- Heavy-duty mast rails
- Lift cylinders secured behind mast rails
- Lubricated and sealed main rollers
- Impact resistant main/side thrust rollers
- Greaseable mast pivots
- Heavy-duty isolated anti-vibration bolt-in drive line mounts
- Mast pivots constructed with wear-resistant steel bushings and hardened steel pins
- 2 stage wide visible mast (V)
- 2 stage mast w/ free lift (FV) (45K to 55K models)
- Dual action bolt-on steer cylinder protected by heavy steel support beams
- Sealed tapered roller bearings
- Heavy steel frame cross supports
- Two-part rust-inhibiting polyurethane base coat and two-part polyurethane top coat for corrosion protection
- Rubber-mounted cab, isolated from the frame to reduce noise and vibration
- High-visibility carriage with integral side thrust rollers
- High-impact greaseable composite trunnions
- Tapered forks

SUPPORT

- Electrical horn
- Asbestos free components
- Neutral safety switch
- Integrated overhead guard
- Operator Restraint System seat
- Orange forks
- Operator Presence Sensing System (OPSS)

PERFORMANCE

- PSI 5.7L V8 engine (LP)
- Dana TE-14 Series Transmission
 - 3FWD/3REV speed automatic
 - True inching system
 - Integral cooling pump (dedicated)
 - Remote mounted filter
 - 12 plate modulation
- 2-function hydraulic control valve (lift/tilt)
- Independent brake & inching pedals
- Full hydraulic power steering
- Warning light for parking brake (release)
- Lift and lashing points
- Illuminated digital instrument display
 - Hydraulic filter plugged warning
 - Air filter plugged warning
 - Transmission filter plugged warning
 - Check engine light
 - Low fuel level indicator
- Parking brake indicator
- High engine temperature indicator
- Low engine pressure indicator
- High transmission temperature indicator
- Engine over-speed indicator
- Low battery indicator
- Service meter warning

ERGONOMICS

- Mast mounted LED Headlights (2)
- LED rear combination lights (2)
- Finger-tip hydraulic controls
- Tilt steering column
- Left-hand shift lever
- Long operator assist grips
- Vinyl adjustable semi-suspension seat
- Hand-actuated disc-type parking brake
- Low-height non-skid steps
- Padded floor mat

SERVICEABILITY

- Easy-access service panels
- Hydraulic pump, hoses, tubes, and wiring harness are accessible and easy to inspect
- Chrome-plated rods (lift, tilt and steer cylinders) for easy seal replacement
- Parker pumps, valves, and seals
- O-ring face seal fittings on the entire hydraulic system
- Electrical box located inside the cab
- Color coded wires enclosed with split-tubing wire-loom wrap
- Anti-restart ignition switch
- Fully sealed headlights and auxiliary lights
- Low chassis side plate allows easy access to the drive train
- Swing-out LP tank brackets (2)
- Hinged side doors provide excellent access to engine compartment

* For capacities higher than 55000, please see your local, authorized Toyota Dealer for more information.

OPTIONAL EQUIPMENT

MASTS

- Wide Visible Mast (V)
- Full-Free Lift Two-Stage Mast (FV)
- Full-Free Lift Three-Stage Mast (FSV)

POWERTRAIN

- Pre-cleaner
- Engine Block Heater
- Diesel Engines¹

CHASSIS OPTIONS

- Counterweight Towpin
- Bellypan Kit
- Mill Duty Chassis¹

CARRIAGE

- Carriage Bumper Blocks
- Pin-Type Carriage
- Integral Side Shifting Fork Positioner
- Polypad, Forks

- Tilt Control (Forward)
- Tilt Control (Rearward)
- Tilt Control (Forward and Rearward)
- Tilt Level Indicator

- Standard Tapered Forks
- Coil Contour Forks

TIRE/WHEEL

- Lugged Rubber Drive Tires
- Non-Marking Rubber Drive Tires
- Poly Drive Tires
- Grooved Poly Drive Tires

- High-Load Poly Drive Tires
- Vulkollan Drive Tires
- Non-Marking Rubber Steer Tires
- Poly Steer Tires

- High-Load Poly Steer Tires
- Vulkollan Steer Tires

CAB/CONTROLS

- Air Conditioning
- Heater
- Overhead Guard w/ Soft Doors
- Front Wiper/Washer
- Rear Wiper/Washer
- Black seatbelt with Switch
- Orange Seatbelt

- Orange Seatbelt with Switch
- Cloth Semi-Suspension Seat
- Air Ride Seat
- Steering Wheel w/ Knob
- Lexan, Front
- Lexan, Top
- Lexan, Rear

- Glass, Front
- Glass, Top
- Glass, Rear
- Operator Compartment Fan
- Mechanical Controls
- Hydraulic Controls
- Rear View Mirrors

CAB RISER

- 13" Riser, Center Seat
- 13" Riser, LH Seat with Cab Tilt
- 13" Riser, Center Seat with Cab Tilt

- 20" Riser, LH Seat
- 20" Riser, Center Seat
- 20" Riser, LH Seat with Cab Tilt

- 20" Riser, Center Seat with Cab Tilt

LIGHTS/ALARMS

- Amber Strobe Light
- Blue Strobe Light
- Red Strobe Light
- Clear Strobe Light
- Amber Strobe Light (Additional)
- Blue Strobe Light (Additional)
- Red Strobe Light (Additional)
- Clear Strobe Light (Additional)

- Strobe Light Guard
- Forward Facing Blue Light*
- Rear Facing Blue Light*
- Forward & Rear Facing Blue Light*
- Forward Facing Red Light*
- Rear Facing Red Light*
- Forward & Rear Facing Red Light*
- Side Mount 'Red Zone' Pedestrian Light

- Turn Signal Light Kit
- Single Forward Facing LED Worklight (Additional)
- Single Rear Facing LED Worklight
- Extra Work Lights- LED Forward Facing (pair)
- Extra Work Lights- LED Rearward Facing (pair)

HYDRAULIC

- Low Nitrogen Warning System, Steer/Brake Accumulator

- Lift Accumulator

- Tilt Accumulator

INDICATORS & MISC.

- Rear Pillar Assist Grip w/ Horn Button
- Forward Camera System Visibility Aid
- Rear Camera System Visibility Aid

- Dual Camera System Visibility Aid
- Overload Warning System
- 5 lb. Fire Extinguisher

- Back-up alarm
- 60,000 - 80,000 Lb. Capacity¹

1. Special design request (TSDR) required. For more information, consult your local, authorized Toyota Dealer

* Key Switch Activated

Not all options are available together or available on all models.

Please contact your local, authorized Toyota Dealer for a complete list of available options.

TRUCK SPECIFICATIONS

MODEL NUMBERS

GENERAL DATA				THDC2500-24	THDC3000-24	THDC3500-24	THDC2500-30
Load Capacity			lb (kg)	25000 (11340)	30000 (13608)	35000 (15876)	25000 (11340)
Load Center			in (mm)	24 (610)	24 (610)	24 (610)	30 (762)
Power Type				LP	LP	LP	LP
Operator Position				LH Seat / Center Seat	LH Seat / Center Seat	LH Seat / Center Seat	LH Seat / Center Seat
Tire Type	Front/Rear			Cushion	Cushion	Cushion	Cushion
Wheels (x = driven)	Front / Rear			2x/2	2x/2	2x/2	2x/2
EXTERIOR DIMENSIONS				THDC2500-24	THDC3000-24	THDC3500-24	THDC2500-30
A Maximum Fork Height (top of forks)			in (mm)	103.50 (2628.9)	103.50 (2628.9)	103.50 (2628.9)	103.50 (2628.9)
B Free Lift (top of forks)			in (mm)	0 (0)	0 (0)	0 (0)	0 (0)
C Fork Size (T x W x L)			in (mm)	3.50 (88.9) x 7.00 (177.8) x 48 (1219)	3.50 (88.9) x 7.00 (177.8) x 48 (1219)	3.50 (88.9) x 7.00 (177.8) x 48 (1219)	3.50 (88.9) x 7.00 (177.8) x 60 (1524)
D Fork Spread Max. / Min. (outer edge to edge) ¹			in (mm)	54.00 (1371.6) - 14.00 (355.6)	54.00 (1371.6) - 14.00 (355.6)	54.00 (1371.6) - 14.00 (355.6)	54.00 (1371.6) - 14.00 (355.6)
E Tilt Range (forward / backward)			deg	8/8	8/8	8/8	8/8
F Length to Fork Face			in (mm)	152.67 (3877.8)	152.67 (3877.8)	160.67 (4081.0)	152.67 (3877.8)
G Overall Width			in (mm)	66.09 (1678.7)	66.09 (1678.7)	66.09 (1678.7)	66.09 (1678.7)
H Mast Lowered Height			in (mm)	112.75 (2863.9)	112.75 (2863.9)	112.75 (2863.9)	112.75 (2863.9)
I Mast Extended Height (top of load backrest)			in (mm)	162.75 (4133.9)	162.75 (4133.9)	162.75 (4133.9)	162.75 (4133.9)
J Overhead Guard Height			in (mm)	103.58 (2630.9)	103.58 (2630.9)	103.58 (2630.9)	103.58 (2630.9)
K Turning Radius (outside)			in (mm)	136.52 (3467.6)	136.52 (3467.6)	143.70 (3650.0)	136.52 (3467.6)
L Load Distance ²			in (mm)	30.67 (779.0)	30.67 (779.0)	30.67 (779.0)	30.67 (779.0)
M Basic Right-Angle Stacking Aisle Width ³			in (mm)	167.19+Load (4246.6+Load)	167.19+Load (4246.6+Load)	174.37+Load (4429.0+Load)	167.19+Load (4246.6+Load)
PERFORMANCE DATA				THDC2500-24	THDC3000-24	THDC3500-24	THDC2500-30
Speeds	Maximum Travel (fwd. / rev.)	Full Load	mph (km/h)	9.7 (15.6)	9.7 (15.6)	9.7 (15.6)	9.7 (15.6)
		No Load	mph (km/h)	9.7 (15.6)	9.7 (15.6)	9.7 (15.6)	9.7 (15.6)
	Lifting	Full Load	fpm (mm/sec)	61 (310)	61 (310)	58 (295)	61 (310)
		No Load	fpm (mm/sec)	65 (330)	65 (330)	65 (330)	65 (330)
	Lowering	Full Load	fpm (mm/sec)	24 (122)	24 (122)	24 (122)	24 (122)
		No Load	fpm (mm/sec)	17 (86)	17 (86)	17 (86)	17 (86)
Drawbar Pull	Maximum	Full Load	lb (kg)	25573 (113.7)	25447 (113.2)	25335 (112.7)	25545 (113.6)
		No Load	lb (kg)	9714 (43.2)	9468 (42.1)	8694 (38.7)	9606 (42.7)
Gradeability @ .9 Coef* ⁴	Maximum	Full Load	%	73.7	67.1	62.9	69.9
		No Load	%	42.5	37.1	33.3	41.1
TRUCK WEIGHTS				THDC2500-24	THDC3000-24	THDC3500-24	THDC2500-30
Total Weight (empty)			lb (kg)	35200 (15966)	38600 (17509)	41100 (18643)	37100 (16828)
Weight Distribution	Full Load	Front	lb (kg)	56400 (25583)	64030 (29044)	70780 (32105)	57880 (26254)
		Rear	lb (kg)	3800 (1724)	4570 (2073)	5320 (2413)	4220 (1914)
	No Load	Front	lb (kg)	16190 (7344)	15780 (7158)	14490 (6573)	16010 (7262)
		Rear	lb (kg)	19010 (8623)	22820 (11351)	26610 (12070)	21090 (9566)
TIRES				THDC2500-24	THDC3000-24	THDC3500-24	THDC2500-30
Tires	Number (front / rear)			4/2	4/2	4/2	4/2
	Size (OD x W x ID)	Front		28 X 10 X 22	28 X 10 X 22	28 X 10 X 22	28 X 10 X 22
Rear			22 X 10 X 16	22 X 10 X 16	22 X 10 X 16	22 X 10 X 16	
N Wheelbase			in (mm)	90.00 (2286.0)	90.00 (2286.0)	90.00 (2286.0)	90.00 (2286.0)
Tread Width		Q Front	in (mm)	45.95 (1167.1)	45.95 (1167.1)	45.95 (1167.1)	45.95 (1167.1)
		P Rear	in (mm)	50.28 (1277.1)	50.28 (1277.1)	50.28 (1277.1)	50.28 (1277.1)
Underclearance (full load)	R Minimum with Load	Center of Wheelbase	in (mm)	4.75 (120.7)	4.75 (120.7)	4.75 (120.7)	4.75 (120.7)
		Center of Wheelbase	in (mm)	5.25 (133.4)	5.25 (133.4)	5.25 (133.4)	5.25 (133.4)
Brake	Service (foot) / Parking			Hydraulic/Mechanical	Hydraulic/Mechanical	Hydraulic/Mechanical	Hydraulic/Mechanical
POWER SYSTEM				THDC2500-24	THDC3000-24	THDC3500-24	THDC2500-30
Internal Combustion Engine	Make / Model			PSI V8 5.7L	PSI V8 5.7L	PSI V8 5.7L	PSI V8 5.7L
	Rated Horsepower @ rpm	SAE HP		147 @ 2500 rpm	147 @ 2500 rpm	147 @ 2500 rpm	147 @ 2500 rpm
	Rated Torque @ rpm	SAE ft-lb		300 @ 1600 rpm	300 @ 1600 rpm	300 @ 1600 rpm	300 @ 1600 rpm
	Number of Cylinders			8	8	8	8
Transmission	Type			POWERSHIFT (Autoshift)	POWERSHIFT (Autoshift)	POWERSHIFT (Autoshift)	POWERSHIFT (Autoshift)
	Speeds (forward / reverse)			3 / 3	3 / 3	3 / 3	3 / 3
Auxiliary Hydraulic Function Specifications (for attachments) ⁴	Max. Operating Pressure		psi (kg/cm ²)	2500 (176)	2500 (176)	2500 (176)	2500 (176)
	Max. Flow Rate		gpm (lpm)	54 (204.4)	54 (204.4)	54 (204.4)	54 (204.4)

* Computed values
 1 Measured with standard forks
 2 Centerline of front axle to front face of forks
 3 Add load length and clearance
 4 Values taken at hydraulic control valve. Does not take into consideration losses through mast plumbing (hosing, fittings, QD's, etc.).

MODEL NUMBERS

GENERAL DATA				THDC3000-30	THDC4000-30	THDC4500-30
Load Capacity	lb (kg)			30000 (13608)	40000 (18144)	45000 (20412)
Load Center	in (mm)			30 (762)	30 (762)	30 (762)
Power Type				LP	LP	LP
Operator Position				LH Seat / Center Seat	LH Seat / Center Seat	LH Seat / Center Seat
Tire Type	Front/Rear			Cushion	Cushion	Cushion
Wheels (x = driven)	Front / Rear			2x/2	2x/2	2x/2
EXTERIOR DIMENSIONS				THDC3000-30	THDC4000-30	THDC4500-30
A Maximum Fork Height (top of forks)	in (mm)			103.50 (2628.9)	108.75 (2762.3)	108.75 (2762.3)
B Free Lift (top of forks)	in (mm)			0 (0)	0 (0)	0 (0)
C Fork Size (T x W x L)	in (mm)			3.50 (88.9) x 7.00 (177.8) x 60 (1524)	4.00 (101.6) x 7.00 (177.8) x 60 (1524)	4.00 (101.6) x 7.00 (177.8) x 60 (1524)
D Fork Spread Max. / Min. (outer edge to edge) ¹	in (mm)			54.00 (1371.6) - 14.00 (355.6)	57.50 (1460.5) - 14.00 (355.6)	57.50 (1460.5) - 14.00 (355.6)
E Tilt Range (forward / backward)	deg			8/8	8/8	8/8
F Length to Fork Face	in (mm)			160.67 (4081.0)	170.70 (4335.8)	172.70 (4386.6)
G Overall Width	in (mm)			66.09 (1678.7)	72.58 (1843.5)	72.58 (1843.5)
H Mast Lowered Height	in (mm)			112.75 (2863.9)	120.00 (3048.0)	120.00 (3048.0)
I Mast Extended Height (top of load backrest)	in (mm)			162.75 (4133.9)	172.38 (4378.4)	172.38 (4378.4)
J Overhead Guard Height	in (mm)			103.58 (2630.9)	103.58 (2630.9)	103.58 (2630.9)
K Turning Radius (outside)	in (mm)			143.70 (3650.0)	149.58 (3799.3)	151.40 (3845.6)
L Load Distance ²	in (mm)			30.67 (779.0)	34.66 (880.4)	34.66 (880.4)
M Basic Right-Angle Stacking Aisle Width ³	in (mm)			174.37+Load (4429.0+Load)	184.24+Load (4679.7+Load)	186.06+Load (4725.9+Load)
PERFORMANCE DATA				THDC3000-30	THDC4000-30	THDC4500-30
Speeds	Maximum Travel (fwd. / rev.)	Full Load	mph (km/h)	9.7 (15.6)	9.7 (15.6)	9.7 (15.6)
		No Load	mph (km/h)	9.7 (15.6)	9.7 (15.6)	9.7 (15.6)
	Lifting	Full Load	fpm (mm/sec)	61 (310)	41 (208)	41 (208)
		No Load	fpm (mm/sec)	65 (330)	44 (223)	44 (223)
	Lowering	Full Load	fpm (mm/sec)	24 (122)	24 (122)	24 (122)
		No Load	fpm (mm/sec)	17 (86)	16 (81)	16 (81)
Drawbar Pull	Maximum	Full Load	lb (kg)	25426 (113.1)	25102 (111.7)	24976 (111.1)
		No Load	lb (kg)	8820 (39.2)	9852 (43.8)	9252 (41.1)
Gradeability @ .9 Coef*	Maximum	Full Load	%	64.7	49.8	46.6
		No Load	%	36.3	27.4	25
TRUCK WEIGHTS				THDC3000-30	THDC4000-30	THDC4500-30
Total Weight (empty)		lb (kg)		40000 (18144)	51600 (23405)	55000 (24948)
Weight Distribution	Full Load	Front	lb (kg)	64950 (29461)	84570 (38360)	92090 (41771)
		Rear	lb (kg)	5050 (2291)	7030 (3189)	7910 (3588)
	No Load	Front	lb (kg)	14700 (6668)	16420 (7448)	15420 (6994)
		Rear	lb (kg)	25300 (11476)	35180 (15957)	39580 (17953)
TIRES				THDC3000-30	THDC4000-30	THDC4500-30
Tires	Number (front / rear)			4/2	4/2	4/2
	Size (OD x W x ID)	Front		28 X 10 X 22	28 X 12 X 22	28 X 12 X 22
Rear			22 X 10 X 16	22 X 12 X 16	22 X 12 X 16	
N Wheelbase		in (mm)		90.00 (2286.0)	92.00 (2336.8)	92.00 (2336.8)
Tread Width	Q Front	in (mm)		45.95 (1167.1)	48.58 (1233.9)	48.58 (1233.9)
	P Rear	in (mm)		50.28 (1277.1)	52.28 (1327.9)	52.28 (1327.9)
Underclearance (full load)	Q Minimum with Load	in (mm)		4.75 (120.7)	3.75 (95.3)	3.75 (95.3)
	R Center of Wheelbase	in (mm)		5.25 (133.4)	4.25 (108.0)	4.25 (108.0)
Brake	Service (foot) / Parking			Hydraulic/Mechanical	Hydraulic/Mechanical	Hydraulic/Mechanical
POWER SYSTEM				THDC3000-30	THDC4000-30	THDC4500-30
Internal Combustion Engine	Make / Model			PSI V8 5.7L	PSI V8 5.7L	PSI V8 5.7L
	Rated Horsepower @ rpm	SAE HP		147 @ 2500 rpm	147 @ 2500 rpm	147 @ 2500 rpm
	Rated Torque @ rpm	SAE ft-lb		300 @ 1600 rpm	300 @ 1600 rpm	300 @ 1600 rpm
	Number of Cylinders			8	8	8
Transmission	Type			POWERSHIFT (Autoshift)	POWERSHIFT (Autoshift)	POWERSHIFT (Autoshift)
	Speeds (forward / reverse)			3 / 3	3 / 3	3 / 3
Auxiliary Hydraulic Function Specifications (for attachments) ⁴	Max. Operating Pressure	psi (kg/cm ²)		2500 (176)	2500 (176)	2500 (176)
	Max. Flow Rate	gpm (lpm)		54 (204.4)	54 (204.4)	54 (204.4)

* Computed values
 1 Measured with standard forks
 2 Centerline of front axle to front face of forks
 3 Add load length and clearance
 4 Values taken at hydraulic control valve. Does not take into consideration losses through mast plumbing (hosing, fittings, QD's, etc.).

TRUCK SPECIFICATIONS

MODEL NUMBERS

GENERAL DATA				THDC5000-30	THDC3000-36	THDC4000-36
Load Capacity		lb (kg)		50000 (22680)	30000 (13608)	40000 (18144)
Load Center		in (mm)		30 (762)	36 (914)	36 (914)
Power Type				LP	LP	LP
Operator Position				LH Seat / Center Seat	LH Seat / Center Seat	LH Seat / Center Seat
Tire Type	Front/Rear			Cushion	Cushion	Cushion
Wheels (x = driven)	Front / Rear			2x/2	2x/2	2x/2
EXTERIOR DIMENSIONS				THDC5000-30	THDC3000-36	THDC4000-36
A Maximum Fork Height (top of forks)		in (mm)		100.00 (2540.0)	103.50 (26.28)	108.75 (2762.3)
B Free Lift (top of forks)		in (mm)		55 (1397)	0 (0)	0 (0)
C Fork Size (T x W x L)		in (mm)		4.50 (114.3) x 8.00 (203.2) x 60 (1524)	3.50 x (88.9) x 7.00 (177.8) x 72 (1829)	4.00 (101.6) x 7.00 (177.8) x 72 (1829)
D Fork Spread Max. / Min. (outer edge to edge) ¹		in (mm)		59.75 (1517.7) - 16.00 (406.4)	54.00 (1371.6) - 14.00 (355.6)	57.50 (1460.5) - 14.00 (355.6)
E Tilt Range (forward / backward)		deg		8/8	8/8	8/8
F Length to Fork Face		in (mm)		196.57 (4992.9)	160.67 (4081.0)	172.70 (4386.6)
G Overall Width		in (mm)		76.42 (1941.1)	66.09 (1678.7)	72.58 (1843.5)
H Mast Lowered Height		in (mm)		118.00 (2997.2)	112.75 (2863.9)	120.00 (3048.0)
I Mast Extended Height (top of load backrest)		in (mm)		173.00 (4394.2)	162.75 (4133.9)	172.38 (4378.4)
J Overhead Guard Height		in (mm)		118.86 (3019.0)	143.70 (3650)	103.58 (2630.9)
K Turning Radius (outside)		in (mm)		173.33 (4402.6)	30.67 (799.0)	151.40 (3845.6)
L Load Distance ²		in (mm)		44.25 (1124.0)	24 (610)	34.66 (880.4)
M Basic Right-Angle Stacking Aisle Width ³		in (mm)		217.58*Load (5526.5*Load)	174.37*Load (4429.0*Load)	186.06*Load (4725.9*Load)
PERFORMANCE DATA				THDC5000-30	THDC3000-36	THDC4000-36
Speeds	Maximum Travel (fwd. / rev.)	Full Load	mph (km/h)	10.3 (16.6)	9.7 (15.6)	9.7 (15.6)
		No Load	mph (km/h)	10.3 (16.6)	9.7 (15.6)	9.7 (15.6)
	Lifting	Full Load	fpm (mm/sec)	20 (102)	58 (295)	41 (208)
		No Load	fpm (mm/sec)	21 (106)	65 (330)	44 (223)
	Lowering	Full Load	fpm (mm/sec)	21 (106)	24 (122)	24 (122)
		No Load	fpm (mm/sec)	12 (61)	17 (86)	16 (81)
Drawbar Pull	Maximum	Full Load	lb (kg)	23211 (103.2)	25393 (112.9)	25065 (111.5)
		No Load	lb (kg)	14880 (66.2)	86.28 (38.4)	9384 (41.7)
Gradeability @ .9 Coef*	Maximum	Full Load	%	34.7	61.2	47.4
		No Load	%	19.5	35.2	26.6
TRUCK WEIGHTS				THDC5000-30	THDC3000-36	THDC4000-36
Total Weight (empty)			lb (kg)	69000 (31298)	42200 (19142)	54100 (24539)
Weight Distribution	Full Load	Front	lb (kg)	110160 (49968)	66630 (30223)	86400 (39190)
		Rear	lb (kg)	8840 (4010)	5570 (2527)	7700 (3493)
	No Load	Front	lb (kg)	24800 (11249)	14380 (6523)	15640 (7094)
		Rear	lb (kg)	44200 (20049)	27820 (12619)	38460 (17445)
TIRES				THDC5000-30	THDC3000-36	THDC4000-36
Tires	Number (front / rear)			4/2	4/2	4/2
	Size (OD x W x ID)	Front		36 X 10 X 30	28 X 10 X 22	28 X 12 X 22
Rear			28 X 14 X 22	22 X 10 X 16	22 X 12 X 16	
N Wheelbase			in (mm)	105.00 (2667)	90.00 (2286.0)	92.00 (2336.8)
Tread Width	Q Front		in (mm)	53.50 (1358.9)	45.95 (1167.1)	48.58 (1233.9)
	P Rear		in (mm)	59.90 (1521.4)	50.28 (1277.1)	52.28 (1327.9)
Underclearance (full load)	Q Minimum with Load		in (mm)	8.55 (217.2)	4.75 (120.7)	3.75 (95.3)
	R Center of Wheelbase		in (mm)	9.05 (229.9)	5.25 (133.4)	4.25 (108.0)
Brake	Service (foot) / Parking			Hydraulic/Mechanical	Hydraulic/Mechanical	Hydraulic/Mechanical
POWER SYSTEM				THDC5000-30	THDC3000-36	THDC4000-36
Internal Combustion Engine	Make / Model			PSI V8 5.7L	PSI V8 5.7L	PSI V8 5.7L
	Rated Horsepower @ rpm	SAE HP		147 @ 2500 rpm	147 @ 2500 rpm	147 @ 2500 rpm
	Rated Torque @ rpm	SAE ft-lb		300 @ 1600 rpm	300 @ 1600 rpm	300 @ 1600 rpm
	Number of Cylinders			8	8	8
Transmission	Type			POWERSHIFT (Autoshift)	POWERSHIFT (Autoshift)	POWERSHIFT (Autoshift)
	Speeds (forward / reverse)			3 / 3	3 / 3	3 / 3
Auxiliary Hydraulic Function Specifications (for attachments) ⁴	Max. Operating Pressure	psi (kg/cm ²)		2500 (176)	2500 (176)	2500 (176)
	Max. Flow Rate	gpm (lpm)		54 (204.4)	54 (204.4)	54 (204.4)

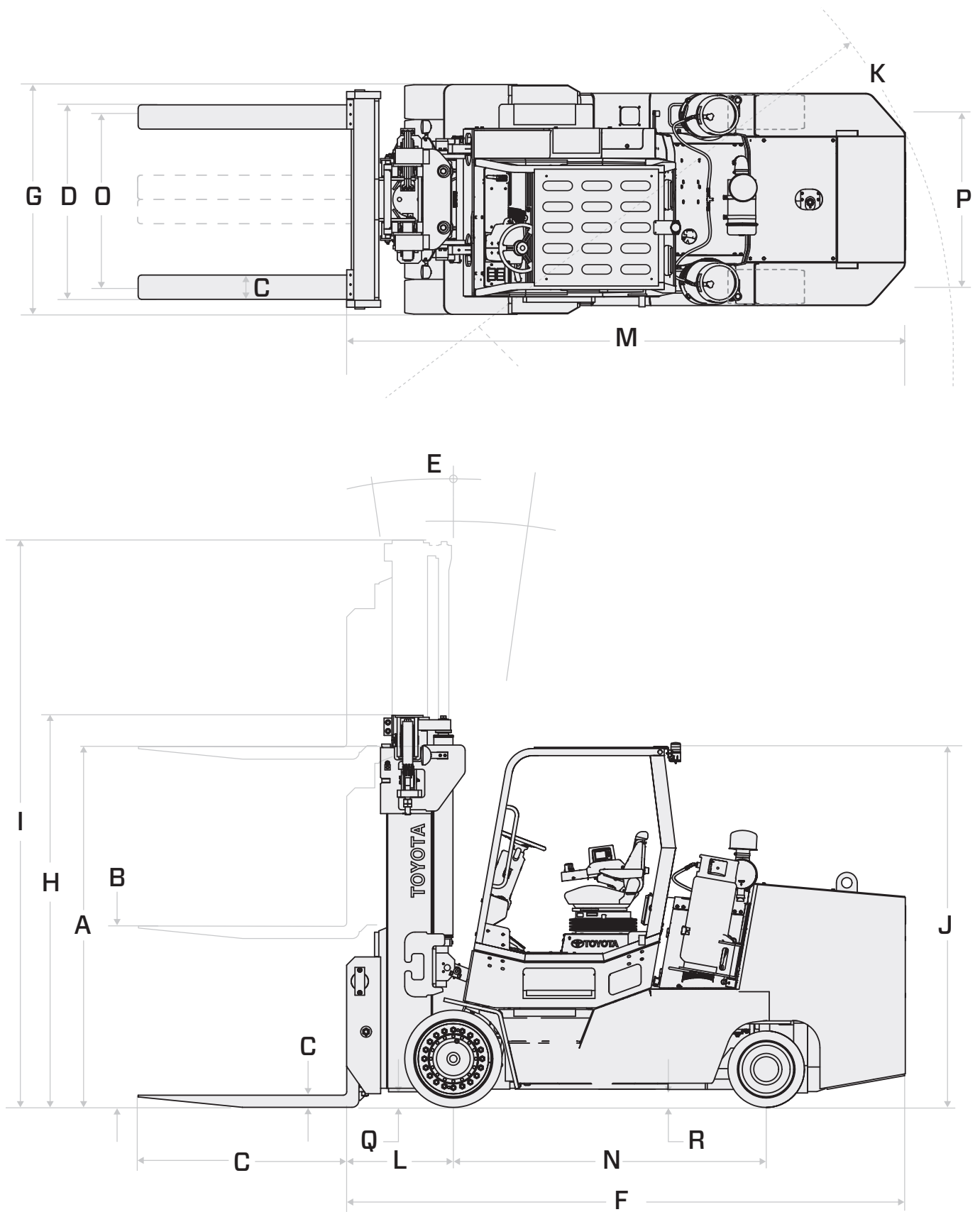
* Computed values
 1 Measured with standard forks
 2 Centerline of front axle to front face of forks
 3 Add load length and clearance
 4 Values taken at hydraulic control valve. Does not take into consideration losses through mast plumbing (hosing, fittings, QD's, etc.).

MODEL NUMBERS

GENERAL DATA				THDC4500-36	THDC5000-36	THDC5500-36
Load Capacity	lb (kg)			45000 (20411)	50000 (22680)	55000 (24948)
Load Center	in (mm)			36 (914)	36 (914)	36 (914)
Power Type				LP	LP	LP
Operator Position				LH Seat / Center Seat	LH Seat / Center Seat	LH Seat / Center Seat
Tire Type	Front/Rear			Cushion	Cushion	Cushion
Wheels (x = driven)	Front / Rear			2x/2	2x/2	2x/2
EXTERIOR DIMENSIONS				THDC4500-36	THDC5000-36	THDC5500-36
A Maximum Fork Height (top of forks)	in (mm)			100.00 (2540.0)	100.00 (2540.0)	100.00 (2540.0)
B Free Lift (top of forks)	in (mm)			41.00 (1041.4)	41.00 (1041.4)	41.00 (1041.4)
C Fork Size (T x W x L)	in (mm)			4.50 (114) x 8.00 (203) x 72 (1829)	4.50 (114) x 8.00 (203) x 72 (1829)	4.50 (114.3) x 8.00 (203.2) x 72 (1829)
D Fork Spread Max. / Min. (outer edge to edge) ¹	in (mm)			59.75 (1517.7) - 16.00 (406.4)	59.75 (1517.7) - 16.00 (406.4)	59.75 (1517.7) - 16.00 (406.4)
E Tilt Range (forward / backward)	deg			8/8	8/8	8/8
F Length to Fork Face	in (mm)			196.57 (4992.9)	196.57 (4992.9)	196.57 (4992.9)
G Overall Width	in (mm)			76.42 (1941.1)	76.42 (1941.1)	76.42 (1941.1)
H Mast Lowered Height	in (mm)			118.00 (2997.2)	118.00 (2997.2)	118.00 (2997.2)
I Mast Extended Height (top of load backrest)	in (mm)			173.00 (4394.2)	173.00 (4394.2)	173.00 (4394.2)
J Overhead Guard Height	in (mm)			118.86 (3019.0)	118.86 (3019.0)	118.86 (3019.0)
K Turning Radius (outside)	in (mm)			173.33 (4402.6)	173.33 (4402.6)	173.33 (4402.6)
L Load Distance ²	in (mm)			44.25 (1124.0)	44.25 (1124.0)	44.25 (1124.0)
M Basic Right-Angle Stacking Aisle Width ³	in (mm)			217.58*Load (5526.5*Load)	217.58*Load (5526.5*Load)	217.58*Load (5526.5*Load)
PERFORMANCE DATA				THDC4500-36	THDC5000-36	THDC5500-36
Speeds	Maximum Travel (fwd. / rev.)	Full Load	mph (km/h)	10.3 (16.6)	10.3 (16.6)	10.3 (16.6)
		No Load	mph (km/h)	10.3 (16.6)	10.3 (16.6)	10.3 (16.6)
	Lifting	Full Load	fpm (mm/sec)	20 (102)	20 (102)	20 (102)
		No Load	fpm (mm/sec)	21 (106)	21 (106)	21 (106)
	Lowering	Full Load	fpm (mm/sec)	21 (106)	21 (106)	21 (106)
		No Load	fpm (mm/sec)	12 (61)	12 (61)	12 (61)
Drawbar Pull	Maximum	Full Load	lb (kg)	23301 (103.6)	23167 (103.0)	23034 (102.5)
		No Load	lb (kg)	15012 (66.8)	14484 (64.4)	65 (330)
Gradeability @ .9 Coef*	Maximum	Full Load	%	35.3	33.3	31.5
		No Load	%	20.6	19	17.6
TRUCK WEIGHTS				THDC4500-36	THDC5000-36	THDC5500-36
Total Weight (empty)			lb (kg)	68000 (30844)	71900 (32613)	75800 (34382)
Weight Distribution	Full Load	Front	lb (kg)	104410 (47360)	112350 (50961)	120290 (54563)
		Rear	lb (kg)	8590 (3896)	9550 (4332)	10510 (4767)
	No Load	Front	lb (kg)	25020 (11349)	24140 (10950)	23260 (10551)
		Rear	lb (kg)	42980 (19495)	47760 (21664)	52540 (23832)
TIRES				THDC4500-36	THDC5000-36	THDC5500-36
Tires	Number (front / rear)			4/2	4/2	4/2
	Size (OD x W x ID)	Front		36 X 10 X 30	36 x 10 x 30	36 x 10 x 30
Rear			28 X 14 X 22	28 X 14 X 22	28 X 14 X 22	
N Wheelbase			in (mm)	105.00 (2667)	105.00 (2667)	105.00 (2667)
Tread Width	Q Front		in (mm)	53.50 (1358.9)	53.50 (1358.9)	53.50 (1358.9)
	P Rear		in (mm)	59.90 (217.2)	59.90 (217.2)	59.90 (1521.4)
Underclearance (full load)	Q Minimum with Load		in (mm)	8.55 (217.2)	8.55 (217.2)	8.55 (217.2)
	R Center of Wheelbase		in (mm)	9.05 (229.9)	9.05 (229.9)	9.05 (229.9)
Brake	Service (foot) / Parking			Hydraulic/Mechanical	Hydraulic/Mechanical	Hydraulic/Mechanical
POWER SYSTEM				THDC4500-36	THDC5000-36	THDC5500-36
Internal Combustion Engine	Make / Model			PSI V8 5.7L	PSI V8 5.7L	PSI V8 5.7L
	Rated Horsepower @ rpm	SAE HP		147 @ 2500 rpm	147 @ 2500 rpm	147 @ 2500 rpm
	Rated Torque @ rpm	SAE ft-lb		300 @ 1600 rpm	300 @ 1600 rpm	300 @ 1600 rpm
	Number of Cylinders			8	8	8
Transmission	Type			POWERSHIFT (Autoshift)	POWERSHIFT (Autoshift)	POWERSHIFT (Autoshift)
	Speeds (forward / reverse)			3 / 3	3 / 3	3 / 3
Auxiliary Hydraulic Function Specifications (for attachments) ⁴	Max. Operating Pressure	psi (kg/cm ²)		2500 (176)	2500 (176)	2250 (158.2)
	Max. Flow Rate	gpm (lpm)		54 (204.4)	54 (204.4)	54 (204.4)

* Computed values
 1 Measured with standard forks
 2 Centerline of front axle to front face of forks
 3 Add load length and clearance
 4 Values taken at hydraulic control valve. Does not take into consideration losses through mast plumbing (hosing, fittings, QD's, etc.).

EXTERIOR DIMENSIONS





MAST SPECIFICATIONS

MAST TYPE	MAXIMUM FORK HEIGHT (TOP OF FORKS)	OVERALL HEIGHT	FREE-LIFT	TILT RANGE		LOAD CAPACITY AT 24 IN. (610 MM) LOAD CENTER
		LOWERED	WITH STANDARD LOAD BACKREST	FWD	BWD	
		in (mm)	in (mm)	deg	deg	
THDC2500-24						
Wide Visible (V)	103.5 (2629)	112.75 (2864)	0	8	8	25000 (11340)
	114 (2896)	118 (2997)	0	8	8	25000 (11340)
	119.25 (3029)	120.63 (3064)	0	8	8	25000 (11340)
	126.5 (3213)	124.25 (3156)	0	8	8	25000 (11340)
	136.5 (3467)	129.25 (3283)	0	8	8	25000 (11340)
	142 (3607)	132 (3353)	0	8	8	25000 (11340)
	148 (3759)	135 (3429)	0	8	8	25000 (11340)
Full Free-Lift 2-Stage (FV)	171 (4343)	146.5 (3721)	0	8	8	25000 (11340)
	58.5 (1486)	73 (1854)	16 (406)	8	8	25000 (11340)
	75.5 (1917)	87 (2209)	60 (1524)	8	8	25000 (11340)
	86.5 (2197)	93 (2362)	36 (914)	8	8	25000 (11340)
	110.75 (2813)	103 (2616)	46 (1168)	8	8	25000 (11340)
	123.5 (3137)	111 (2819)	42 (1067)	8	8	25000 (11340)
	143.5 (3645)	120 (3048)	51 (1295)	8	8	25000 (11340)
Full Free-Lift 3-Stage (FSV)	171.5 (4356)	132 (3353)	51 (1295)	8	8	25000 (11340)
	146 (3708)	111.5 (2831)	42 (1067)	8	8	25000 (11340)
	234.5 (5956)	141 (3581)	71.5 (1816)*	8	8	TSDR*
	275 (6985)	154.5 (3924)	85 (2159)	8	8	TSDR*

MAST TYPE	MAXIMUM FORK HEIGHT (TOP OF FORKS)	OVERALL HEIGHT	FREE-LIFT	TILT RANGE		LOAD CAPACITY AT 24 IN. (610 MM) LOAD CENTER
		LOWERED	WITH STANDARD LOAD BACKREST	FWD	BWD	
		in (mm)	in (mm)	deg	deg	
THDC3000-24						
Wide Visible (V)	103.5 (2629)	112.75 (2864)	0	8	8	30000 (13608)
	114 (2896)	118 (2997)	0	8	8	30000 (13608)
	119.25 (3029)	120.63 (3064)	0	8	8	30000 (13608)
	126.5 (3213)	124.25 (3156)	0	8	8	30000 (13608)
	136.5 (3467)	129.25 (3283)	0	8	8	30000 (13608)
	142 (3607)	132 (3353)	0	8	8	30000 (13608)
	148 (3759)	135 (3429)	0	8	8	30000 (13608)
Full Free-Lift 2-Stage (FV)	171 (4343)	146.5 (3721)	0	8	8	30000 (13608)
	58.5 (1486)	73 (1854)	16 (406)	8	8	30000 (13608)
	75.5 (1917)	87 (2209)	60 (1524)	8	8	30000 (13608)
	86.5 (2197)	93 (2362)	36 (914)	8	8	30000 (13608)
	110.75 (2813)	103 (2616)	46 (1168)	8	8	30000 (13608)
	123.5 (3137)	111 (2819)	42 (1067)	8	8	30000 (13608)
	143.5 (3645)	120 (3048)	51 (1295)	8	8	30000 (13608)
Full Free-Lift 3-Stage (FSV)	171.5 (4356)	132 (3353)	51 (1295)	8	8	30000 (13608)
	146 (3708)	111.5 (2831)	42 (1067)	8	8	30000 (13608)
	234.5 (5956)	141 (3581)	71.5 (1816)	8	8	TSDR*
	275 (6985)	154.5 (3924)	85 (2159)	8	8	TSDR*

*TSDR required to determine capacity to maximum fork height

MAST TYPE	MAXIMUM FORK HEIGHT (TOP OF FORKS)	OVERALL HEIGHT	FREE-LIFT	TILT RANGE		LOAD CAPACITY AT 24 IN. (610 MM) LOAD CENTER
		LOWERED	WITH STANDARD LOAD BACKREST	FWD	BWD	
		in (mm)	in (mm)	deg	deg	
THDC3500-24						
Wide Visible (V)	103.5 (2629)	112.75 (2864)	0	8	8	35000 (15876)
	114 (2896)	118 (2997)	0	8	8	35000 (15876)
	119.25 (3029)	120.63 (3064)	0	8	8	35000 (15876)
	126.5 (3213)	124.25 (3156)	0	8	8	35000 (15876)
	136.5 (3467)	129.25 (3283)	0	8	8	35000 (15876)
	142 (3607)	132 (3353)	0	8	8	35000 (15876)
	148 (3759)	135 (3429)	0	8	8	35000 (15876)
Full Free-Lift 2-Stage (FV)	171 (4343)	146.5 (3721)	0	8	8	35000 (15876)
	58.5 (1486)	73 (1854)	16 (406)	8	8	35000 (15876)
	75.5 (1917)	87 (2209)	60 (1524)	8	8	35000 (15876)
	86.5 (2197)	93 (2362)	36 (914)	8	8	35000 (15876)
	110.75 (2813)	103 (2616)	46 (1168)	8	8	35000 (15876)
	123.5 (3137)	111 (2819)	42 (1067)	8	8	35000 (15876)
	143.5 (3645)	120 (3048)	51 (1295)	8	8	35000 (15876)
Full Free-Lift 3-Stage (FSV)	171.5 (4356)	132 (3353)	51 (1295)	8	8	35000 (15876)
	146 (3708)	111.5 (2831)	42 (1067)	8	8	35000 (15876)
	234.5 (5956)	141 (3581)	71.5 (1816)	8	8	TSDR*
	275 (6985)	154.5 (3924)	85 (2159)	8	8	TSDR*

MAST TYPE	MAXIMUM FORK HEIGHT (TOP OF FORKS)	OVERALL HEIGHT	FREE-LIFT	TILT RANGE		LOAD CAPACITY AT 30 IN. (762 MM) LOAD CENTER
		LOWERED	WITH STANDARD LOAD BACKREST	FWD	BWD	
		in (mm)	in (mm)	deg	deg	
THDC2500-30						
Wide Visible (V)	103.5 (2629)	112.75 (2864)	0	8	8	25000 (11340)
	114 (2896)	118 (2997)	0	8	8	25000 (11340)
	119.25 (3029)	120.63 (3064)	0	8	8	25000 (11340)
	126.5 (3213)	124.25 (3156)	0	8	8	25000 (11340)
	136.5 (3467)	129.25 (3283)	0	8	8	25000 (11340)
	142 (3607)	132 (3353)	0	8	8	25000 (11340)
	148 (3759)	135 (3429)	0	8	8	25000 (11340)
Full Free-Lift 2-Stage (FV)	171 (4343)	146.5 (3721)	0	8	8	25000 (11340)
	58.5 (1486)	73 (1854)	16 (406)	8	8	25000 (11340)
	75.5 (1917)	87 (2209)	60 (1524)	8	8	25000 (11340)
	86.5 (2197)	93 (2362)	36 (914)	8	8	25000 (11340)
	110.75 (2813)	103 (2616)	46 (1168)	8	8	25000 (11340)
	123.5 (3137)	111 (2819)	42 (1067)	8	8	25000 (11340)
	143.5 (3645)	120 (3048)	51 (1295)	8	8	25000 (11340)
Full Free-Lift 3-Stage (FSV)	171.5 (4356)	132 (3353)	51 (1295)	8	8	25000 (11340)
	146 (3708)	111.5 (2831)	42 (1067)	8	8	25000 (11340)
	234.5 (5956)	141 (3581)	71.5 (1816)	8	8	TSDR*
	275 (6985)	154.5 (3924)	85 (2159)	8	8	TSDR*

*TSDR required to determine capacity to maximum fork height

MAST SPECIFICATIONS

MAST TYPE	MAXIMUM FORK HEIGHT (TOP OF FORKS)	OVERALL HEIGHT		FREE-LIFT	TILT RANGE		LOAD CAPACITY AT 30 IN. (762 MM) LOAD CENTER
		LOWERED	WITH STANDARD LOAD BACKREST	FWD	BWD		
						in (mm)	
THDC3000-30							
Wide Visible (V)	103.5 (2629)	112.75 (2864)	0	8	8	30000 (13608)	
	114 (2896)	118 (2997)	0	8	8	30000 (13608)	
	119.25 (30.29)	120.63 (3064)	0	8	8	30000 (13608)	
	126.5 (3213)	124.25 (3156)	0	8	8	30000 (13608)	
	136.5 (3467)	129.25 (3283)	0	8	8	30000 (13608)	
	142 (3607)	132 (3353)	0	8	8	30000 (13608)	
	148 (3759)	135 (3429)	0	8	8	30000 (13608)	
Full Free-Lift 2-Stage (FV)	171 (4343)	146.5 (3721)	0	8	8	30000 (13608)	
	92.5 (2350)	99 (2515)	41 (1041)	8	8	30000 (13608)	
	97.5 (2477)	102.5 (2604)	44.5 (1130)	8	8	30000 (13608)	
	102.5 (2604)	105 (2667)	47 (1194)	8	8	30000 (13608)	
	110.75 (2813)	109 (2769)	51 (1295)	8	8	30000 (13608)	
	123.5 (3137)	112 (2845)	42 (1067)	8	8	30000 (13608)	
	123.5 (3137)	120 (3048)	50 (1270)	8	8	30000 (13608)	
	139.5 (3543)	120 (3048)	50 (1270)	8	8	30000 (13608)	
	150 (3810)	138 (3505)	68 (1727)	8	8	30000 (13608)	
Full Free-Lift 3-Stage (FSV)	161.5 (4102)	139 (3503)	57 (1448)	8	8	30000 (13608)	
	167.5 (4255)	143 (3632)	61 (1549)	8	8	30000 (13608)	
	146 (3708)	111.5 (2832)	42 (1067)	8	8	30000 (13608)	
	234.5 (5956)	141 (3581)	71.5 (1861)	8	8	TSDR*	
	275 (6985)	154.5 (3924)	85 (2159)	8	8	TSDR*	

MAST TYPE	MAXIMUM FORK HEIGHT (TOP OF FORKS)	OVERALL HEIGHT		FREE-LIFT	TILT RANGE		LOAD CAPACITY AT 30 IN. (762 MM) LOAD CENTER
		LOWERED	WITH STANDARD LOAD BACKREST	FWD	BWD		
						in (mm)	
THDC4000-30							
Wide Visible (V)	108.75 (2762)	120 (3048)	0	8	8	40000 (18144)	
	140.75 (3575)	136 (3454)	0	8	8	40000 (18144)	
	150.75 (3829)	144 (3658)	0	8	8	40000 (18144)	
Full Free-Lift 2-Stage (FV)	93 (2362)	99 (2515)	41 (1041)	8	8	40000 (18144)	
	103 (2616)	105 (2667)	47 (1194)	8	8	40000 (18144)	
	111.25 (2826)	109 (2769)	51 (1295)	8	8	40000 (18144)	
	124 (3150)	120 (3048)	50 (1270)	8	8	40000 (18144)	
	140 (3556)	120 (3048)	50 (1270)	8	8	40000 (18144)	
	144 (3658)	122 (3099)	52 (1321)	8	8	40000 (18144)	
	166 (4216)	141 (3581)	59 (1499)	8	8	40000 (18144)	
	194 (4928)	155 (3937)	68 (1727)	8	8	40000 (18144)	

*TSDR required to determine capacity to maximum fork height

MAST TYPE	MAXIMUM FORK HEIGHT (TOP OF FORKS)	OVERALL HEIGHT	FREE-LIFT	TILT RANGE		LOAD CAPACITY AT 30 IN. (762 MM) LOAD CENTER
		LOWERED	WITH STANDARD LOAD BACKREST	FWD	BWD	
				in (mm)	in (mm)	
THDC4500-30						
Wide Visible (V)	108.75 (2762)	120 (3048)	0	8	8	45000 (20412)
	140.75 (3575)	136 (3454)	0	8	8	45000 (20412)
	150.75 (3829)	144 (3658)	0	8	8	45000 (20412)
Full Free-Lift 2-Stage (FV)	93 (2362)	99 (2515)	41 (1041)	8	8	45000 (20412)
	103 (2616)	105 (2667)	47 (1194)	8	8	45000 (20412)
	111.25 (2826)	109 (2769)	51 (1295)	8	8	45000 (20412)
	124 (3150)	120 (2591)	50 (1270)	8	8	45000 (20412)
	140 (3556)	120 (2591)	50 (1270)	8	8	45000 (20412)
	144 (3658)	122 (3099)	52 (1321)	8	8	45000 (20412)
	166 (4216)	141 (3581)	59 (1499)	8	8	45000 (20412)
	194 (4928)	155 (3937)	68 (1727)	8	8	45000 (20412)

MAST TYPE	MAXIMUM FORK HEIGHT (TOP OF FORKS)	OVERALL HEIGHT	FREE-LIFT	TILT RANGE		LOAD CAPACITY AT 30 IN. (762 MM) LOAD CENTER
		LOWERED	WITH STANDARD LOAD BACKREST	FWD	BWD	
				in (mm)	in (mm)	
THDC5000-30						
Full Free-Lift 2-Stage (FV)	100 (2540)	118 (2997)	55 (1397)	8	8	50000 (22680)
	124 (3150)	130 (3302)	55 (1397)	8	8	50000 (22680)

MAST TYPE	MAXIMUM FORK HEIGHT (TOP OF FORKS)	OVERALL HEIGHT	FREE-LIFT	TILT RANGE		LOAD CAPACITY AT 36 IN. (914 MM) LOAD CENTER
		LOWERED	WITH STANDARD LOAD BACKREST	FWD	BWD	
				in (mm)	in (mm)	
THDC3000-36						
Wide Visible (V)	103.5 (2629)	112.75 (2864)	0	8	8	30000 (13608)
	114 (2896)	118 (2997)	0	8	8	30000 (13608)
	119.25 (3029)	120.63 (3064)	0	8	8	30000 (13608)
	126.5 (3213)	124.25 (3156)	0	8	8	30000 (13608)
	136.5 (3467)	129.25 (3283)	0	8	8	30000 (13608)
	142 (3607)	132 (3353)	0	8	8	30000 (13608)
	148 (3759)	135 (3429)	0	8	8	30000 (13608)
	171 (4343)	146.5 (3721)	0	8	8	30000 (13608)
Full Free-Lift 2-Stage (FV)	92.5 (2350)	99 (2515)	41 (1041)	8	8	30000 (13608)
	97.5 (2477)	102.5 (2604)	44.5 (1130)	8	8	30000 (13608)
	102.5 (2604)	105 (2667)	47 (1194)	8	8	30000 (13608)
	110.75 (2813)	109 (2769)	51 (1295)	8	8	30000 (13608)
	123.5 (3137)	112 (2845)	42 (1067)	8	8	30000 (13608)
	123.5 (3137)	120 (3048)	50 (1270)	8	8	30000 (13608)
	139.5 (3543)	120 (3048)	50 (1270)	8	8	30000 (13608)
	150 (3810)	138 (3505)	68 (1727)	8	8	30000 (13608)
	161.5 (4102)	139 (3503)	57 (1448)	8	8	30000 (13608)
	167.5 (4255)	143 (3632)	61 (1549)	8	8	30000 (13608)
Full Free-Lift 3-Stage (FSV)	146 (3708)	111.5 (2832)	42 (1067)	8	8	30000 (13608)
	234.5 (5956)	141 (3581)	71.5 (1861)	8	8	TSDR*
	275 (6985)	154.5 (3924)	85 (2159)	8	8	TSDR*

*TSDR required to determine capacity to maximum fork height

MAST SPECIFICATIONS

MAST TYPE	MAXIMUM FORK HEIGHT (TOP OF FORKS)	OVERALL HEIGHT	FREE-LIFT	TILT RANGE		LOAD CAPACITY AT 36 IN. (914 MM) LOAD CENTER
		LOWERED	WITH STANDARD LOAD BACKREST	FWD	BWD	
	in (mm)	in (mm)	in (mm)	deg	deg	lb (kg)
THDC4000-36						
Wide Visible (V)	108.75 (2762)	120 (3048)	0	8	8	40000 (18144)
	140.75 (3575)	136 (3454)	0	8	8	40000 (18144)
	150.75 (3829)	144 (3658)	0	8	8	40000 (18144)
Full Free-Lift 2-Stage (FV)	93 (2362)	99 (2515)	41 (1041)	8	8	40000 (18144)
	103 (2616)	105 (2667)	47 (1194)	8	8	40000 (18144)
	111.25 (2826)	109 (2769)	51 (1295)	8	8	40000 (18144)
	124 (3150)	120 (3048)	50 (1270)	8	8	40000 (18144)
	140 (3556)	120 (3048)	50 (1270)	8	8	40000 (18144)
	144 (3658)	122 (3099)	52 (1321)	8	8	40000 (18144)
	166 (4216)	141 (3581)	59 (1499)	8	8	40000 (18144)
194 (4928)	155 (3937)	68 (1727)	8	8	40000 (18144)	

MAST TYPE	MAXIMUM FORK HEIGHT (TOP OF FORKS)	OVERALL HEIGHT	FREE-LIFT	TILT RANGE		LOAD CAPACITY AT 36 IN. (914 MM) LOAD CENTER
		LOWERED	WITH STANDARD LOAD BACKREST	FWD	BWD	
	in (mm)	in (mm)	in (mm)	deg	deg	lb (kg)
THDC4500-36						
Full Free-Lift 2-Stage (FV)	100 (2540)	118 (2998)	55 (1397)	8	8	45000 (20411)
	124 (3150)	130 (3302)	53 (1346)	8	8	45000 (20411)

MAST TYPE	MAXIMUM FORK HEIGHT (TOP OF FORKS)	OVERALL HEIGHT	FREE-LIFT	TILT RANGE		LOAD CAPACITY AT 36 IN. (914 MM) LOAD CENTER
		LOWERED	WITH STANDARD LOAD BACKREST	FWD	BWD	
	in (mm)	in (mm)	in (mm)	deg	deg	lb (kg)
THDC5000-36						
Full Free-Lift 2-Stage (FV)	100 (2540)	118 (2998)	55 (1397)	8	8	50000 (22680)
	124 (3150)	130 (3302)	53 (1346)	8	8	50000 (22680)

MAST TYPE	MAXIMUM FORK HEIGHT (TOP OF FORKS)	OVERALL HEIGHT	FREE-LIFT	TILT RANGE		LOAD CAPACITY AT 36 IN. (914 MM) LOAD CENTER
		LOWERED	WITH STANDARD LOAD BACKREST	FWD	BWD	
	in (mm)	in (mm)	in (mm)	deg	deg	lb (kg)
THDC5500-36						
Full Free-Lift 2-Stage (FV)	100 (2540)	118 (2998)	55 (1397)	8	8	55000 (24948)
	124 (3150)	130 (3302)	53 (1346)	8	8	55000 (24948)

*TSDR required to determine capacity to maximum fork height



TOYOTA

P & H

Some product features described herein are optional. Please consult your dealer for specifications. Details of specifications and equipment are based on information available at time of printing and may change without notice. Photos may not reflect physical trucks.

