

## Model: NTEP-2248 & NTEP-2748

Scale Pallet Truck with Extended Functions



### BENEFITS

- NTEP approved
- High capacity Li-ion battery pack for 75 hours of autonomy
- Automatic dosing function (option)
- Three communication protocols
- Internal clock for date/time
- For warehousing, dosing and mixing
- Bluetooth or WiFi data output for connectivity (option)
- Connectivity software available

Supreme Quality  
Advanced Functions



**Dillon**  
TOYOTA LIFT

NOBLELIFT North America

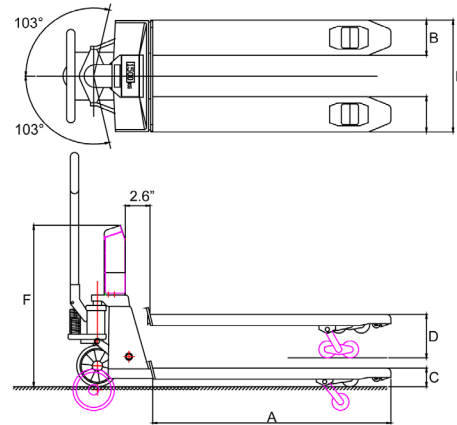
## FUNCTIONS

- Automatic and manual zero correction
- Gross/net weighing
- Automatic and manual tare
- Totalling with sequence number
- Code entry (5-digit)
- RS232 port for connection with printer
- Extra port for Bluetooth or WiFi option board
- Internal clock
- Error messages in display
- Automatic switch-off after 30 minutes of non-use
- lb/kg toggle

## STANDARD SPECIFICATIONS

- Weighing capacity max. 5,000 lb
- Graduation 0 - 3,000 lb: graduation 1 lb, or 5,000 lb: graduation 2 lb
- Max. tolerance 0.1% of the load lifted
- Display LCD, dual color, digit height 0.87 inch, backlight
- Keypad 5 function keys, on/of key
- Protection class load cells NEMA 5, display NEMA 4 (printer excluded)
- Battery 14,8Vdc/5Ah, exchangeable, Li-ionbattery pack, charger included
- Battery life 75 hours, low battery indication in display
- Charger 110/120 - 14,8V
- Charging time approximately 6 hours
- Steering wheels rubber
- Loading wheels polyurethane, single
- Color red (RAL 3000)
- Own weight 250 lb
- Pump quick lift

## DIMENSIONS IN INCHES



A	Overall Fork length	48
B	Fork width	7.1
C	Minimum fork height	3.0
	Ground clearance	0.7
D	Maximum fork height	7.9
	Lifting height	4.8
E	Overall Fork Width	22 & 27.5
F	Height to top indicator	32.5

Tolerance +/- 0.1 inch

**NOBLELIFT** North America



## OPTIONS\*

- Extra exchangeable Li-ion battery pack
- Built-in thermal printer
- Bluetooth or WiFi output
- Relay setpoint switch for automatic dosing
- RDC, Data Collector Software
- RIS, Integration Software
- Stainless steel fork shoes
- Stainless steel truck
- Pivoting indicator; readout from all angles during dosing
- Footbrake
- Different fork dimensions (with different fork height)
- Different steering or loading wheels



**Nampa**  
1905 Madison Avenue  
Nampa, ID 83687  
PH (208) 466-8994

**Twin Falls**  
2354 Eldridge Avenue  
Twin Falls, ID 83301  
PH (208) 466-8994

**Idaho Falls**  
3441 N. 25th E., Ste 106  
Idaho Falls, ID 83401  
PH (208) 466-8994

**Utah**  
2640 W. California Ave.  
Salt Lake City, UT 84104  
PH (801) 972-1930